

MIKSAN موتور ویبره

750 rpm



kalasanati.com

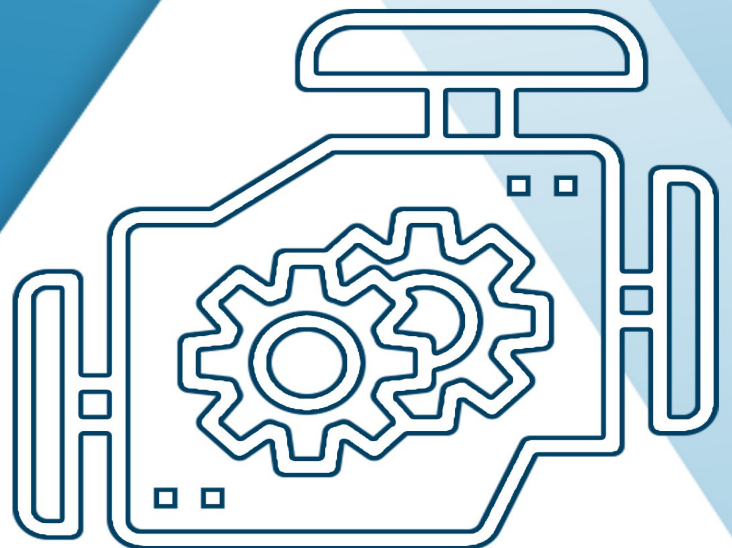


[@kalasanati.ir](https://www.instagram.com/kalasanati.ir)



[+982188544230](tel:+982188544230)

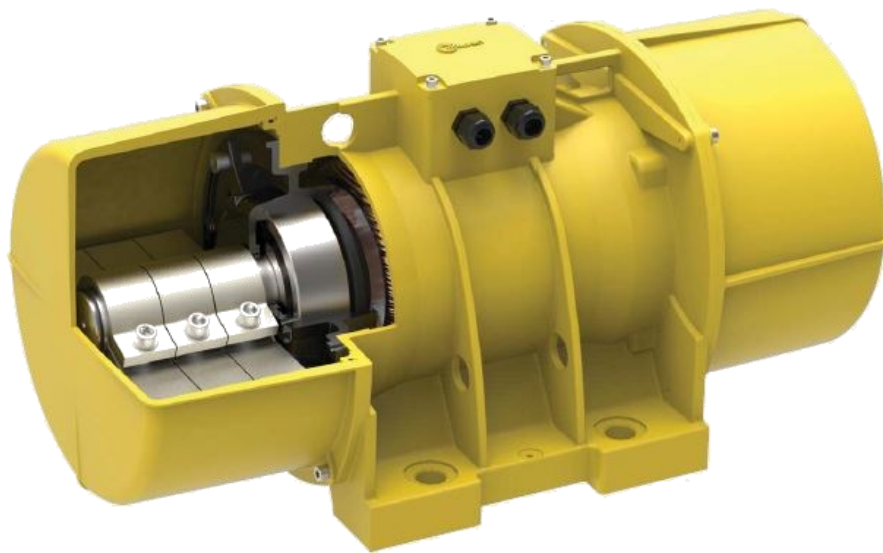
Catalog 2021



Vibration motor



Kalasanati.com
Training, Selecting, Purchasing



Vibration motor

Kalasanati.com



Kalasanati.com

8 POLE

50 Hz-750 rpm ~ 60 Hz-900 rpm



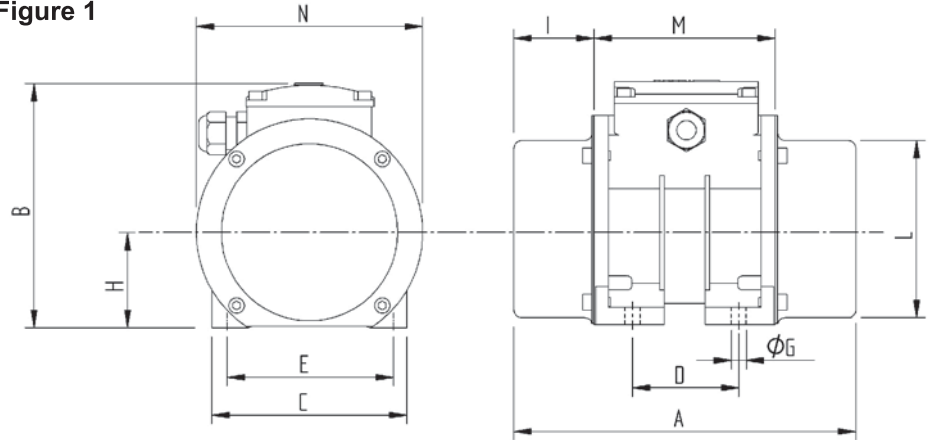
*Please contact us for 60 Hz values.

MECHANICAL SPECIFICATIONS						ELECTRICAL SPECIFICATIONS		
RPM	TYPE	Centrifugal Force		Static Moment	Weight	Nominal Voltage	Max. Current	Max. Input Power
50 Hz		KG	N	kgmm	KG	V	A	Kw
750	VD 8-200	195	1913	310	28,0	230/400	1,38/0,80	0,43
	VD 8-300	290	2845	461	33,0	230/400	1,55/0,90	0,43
	VE 8-520	510	5003	811	64,5	230/400	2,68/1,55	0,5
	VE 8-780	765	7505	1217	73,0	230/400	2,77/1,60	0,55
	VG 8-1000	1000	9810	1590	92,0	230/400	3,98/2,30	0,95
	VG 8-1200	1200	11772	1908	99,0	230/400	4,67/2,70	1,1
	VH 8-1500	1500	14715	2386	119,0	230/400	6,92/4,00	1,5
	VK 8-2200	2200	21582	3499	174,0	230/400	12,30/7,10	2,5
	VK 8-2650	2650	25997	4214	184,0	230/400	12,30/7,10	2,5
	VL 8-3700	3711	36405	5902	260,0	400/690	11,00/6,35	5,0
	VL 8-4500	4598	45106	7313	277,0	400/690	11,00/6,35	5,0

Working Moment = 2 x Static Moment

*We reserve the right to modify the specifications and dimensions without notice.

Figure 1



DIMENSIONS (mm)													
TYPE	A	B	C	D	E	ØGx4	H	I	L	M	N	Cable Entry	Fig. No
VD 8-200	368	235	210	120	170	17	109	89	188	190	230	M20 x 1,5	1
VD 8-300	416	235	210	120	170	17	109	113	188	190	230	M20 x 1,5	1
VE 8-520	520	253	235	140	190	17	116	131	212	259	274	M20 x 1,5	2
VE 8-780	578	253	235	140	190	17	116	160	212	259	274	M20 x 1,5	2
VG 8-1000	628	277	270	155	225	22	130	169	234	290	294	M20 x 1,5	2
VG 8-1200	628	277	270	155	225	22	130	169	234	290	294	M20 x 1,5	2
VH 8-1500	604	335	310	155	255	23,5	160	147	290	310	333	M25 x 1,5	2
VK 8-2200	702	355	340	180	280	26	170	186	310	330	327	M25 x 1,5	2
VK 8-2650	702	355	340	180	280	26	170	186	310	330	327	M25 x 1,5	2
VL 8-3700	832	400	390	200	320	28	195	233	383	365	384	M25 x 1,5	2
VL 8-4500	832	400	390	200	320	28	195	233	383	365	384	M25 x 1,5	2

Figure 2

